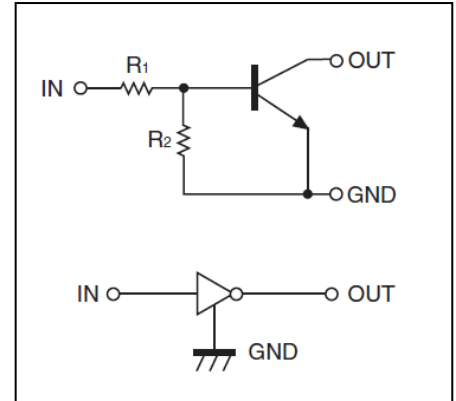


Digital Transistors (Built-in Resistors)

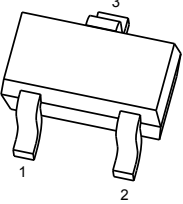
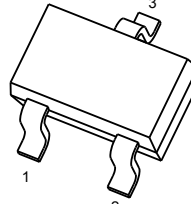
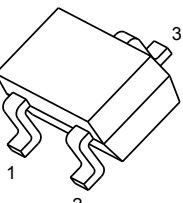
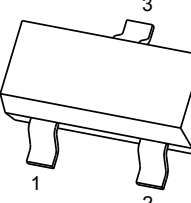
• Equivalent Circuit DIGITAL TRANSISTOR (NPN)

FEATURES

- Built-in bias resistors enable the configuration of an inverter circuit without connecting external input resistors(see equivalent circuit)
- The bias resistors consist of thin-film resistors with complete isolation to allow negative biasing of the input.They also have the advantage of almost completely eliminating parasitic effects
- Only the on/off conditions need to be set for operation, making device design easy



PIN CONNENCTIONS and MARKING

DTC114EE  SOT-523 1. IN 2. GND 3. OUT	DTC114EUA  SOT-323 1. IN 2. GND 3. OUT
DTC114EKA  SOT-23-3L 1. IN 2. GND 3. OUT	DTC114ECA  SOT-23 1. IN 2. GND 3. OUT

ORDERING INFORMATION

Part Number	MARKING	Package	Packing Method	Pack Quantity
DTC114EE	24	SOT-523	Reel	3000pcs/Reel
DTC114EUA	24	SOT-323	Reel	3000pcs/Reel
DTC114EKA	24	SOT-23-3L	Reel	3000pcs/Reel
DTC114ECA	24	SOT-23	Reel	3000pcs/Reel

MAXIMUM RATINGS(Ta=25°C unless otherwise noted)

Symbol	Parameter	Limits(DTC114E□)				Unit
		E	UA	CA	KA	
V _{CC}	Supply Voltage	50				V
V _{IN}	Input Voltage	-10~+40				V
I _O	Output Current	100				mA
P _D	Power Dissipation	150	200	200	200	mW
T _J ,T _{stg}	Operation Junction and Storage Temperature Range	-55~+150				°C

ELECTRICAL CHARACTERISTICS (Ta=25°C unless otherwise specified)

Parameter	Symbol	Conditions	Min	Typ	Max	Unit
Input voltage	V _{I(off)}	V _{CC} =5V,I _O =100μA	0.5			V
	V _{I(on)}	V _O =0.3V,I _O =10mA			3	V
Output voltage	V _{O(on)}	I _O /I _I =10mA/0.5mA			0.3	V
Input current	I _I	V _I =5V			0.88	mA
Output current	I _{O(off)}	V _{CC} =50V,V _I =0			0.5	μA
DC current gain	G _I	V _O =5V,I _O =5mA	30			
Input resistance	R ₁		7	10	13	kΩ
Resistance ratio	R ₂ /R ₁		0.8	1	1.2	
Transition frequency	f _T	V _O =10V,I _O =5mA,f=100MHz		250		MHz

Typical Characteristics
